



440U

Commercial Sectional Doors
25 Gauge / 1½" Sections



440U

White Microgroove Panel with 12" X 24" Windows



440U

BEST



Door: 10 yr



Hardware: 1 yr



Springs: 1 yr

- **R-15.7** Thermal Rating
- Steel (25 ga.)
- 1½" Polyurethane
- 4 Colors + Custom Color
- 2 Window Designs

Thermal Rating



Durability



Low Maintenance



Section Detail

SECTION DETAIL 440U panels are produced in stucco texture for exterior and interior surface with microgroove design. The door panels are prepared inside and out to offer maximum protection to provide you with a long-lasting surface finish and reduced maintenance cost

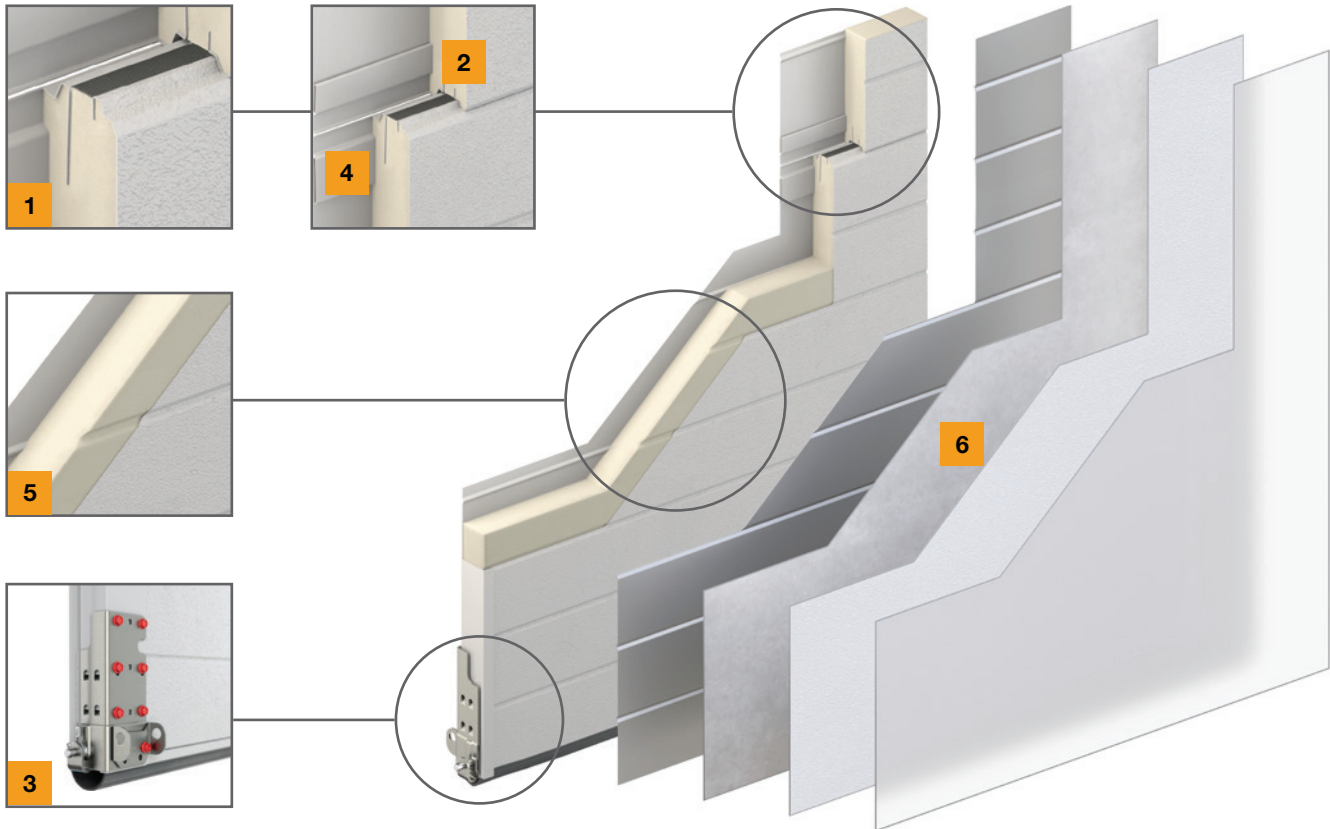
Left Facing Page Image: White microgroove panel with 12" X 24" windows

Bottom Left Image: Close-up of a microgroove panel with stucco texture.

440U

Panel Features

The Industry Leader in Innovative Door Safety, Insulation, and Strength



Precise Thermal Break **1**

Increased thermal efficiency is achieved by our conduction-resistant thermal break.

Insulated Tongue & Groove **2**

Our joints are sealed with insulating foam and joint tape to reduce air flow heat loss.

Proprietary Safety Brackets **3**

Our reinforced safety bottom brackets and red safety screws create a double layer of built-in safety for the user.

Reinforced Mounting Steel **4**

Triple-reinforced steel fold extends across the entire section for robust hardware mounting. An internal steel layer creates additional stability.

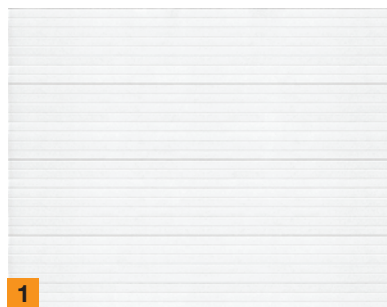
Proprietary Urethane Blend **5**

Perfected over generations, our precisely engineered polyurethane outperforms its competitors in strength, energy efficiency, and density every time.

25 Gauge Steel **6**

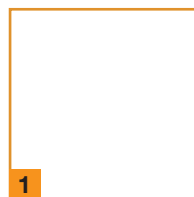
Our top-of-the-line 25 gauge steel is treated with 4 layers of strength and weather resistance.

Panel Design

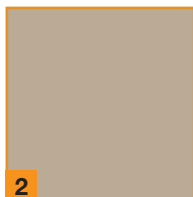


1 Microgroove

1



1



2



3



4



5

Color Options

- 1 White
- 2 Sandstone
- 3 Brown
- 4 Metallic Silver (Optional)
- 5 Galaxy Paint (Optional Custom Color)

NOTE: Metallic Silver color selection comes with an upcharge based on square footage of the door

Window Design Options



1 Window 24" X 6"



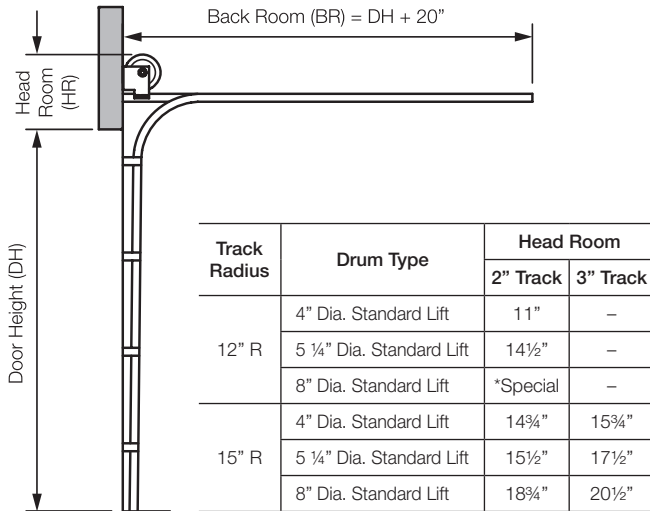
2 Window 24" X 12"

Door Width	Maximum No. of Windows
Up to 9' 2"	2
9' 3" to 12' 2"	3
12' 3" to 16' 2"	4
16' 3" to 19' 2"	5
19' 3" to 24' 2"	6
24' 3" to 26' 2"	7

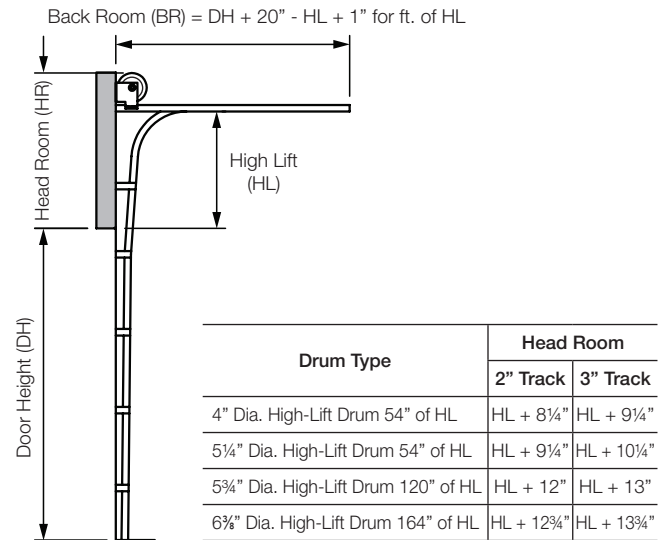
440U

Door Dimensions (typical)

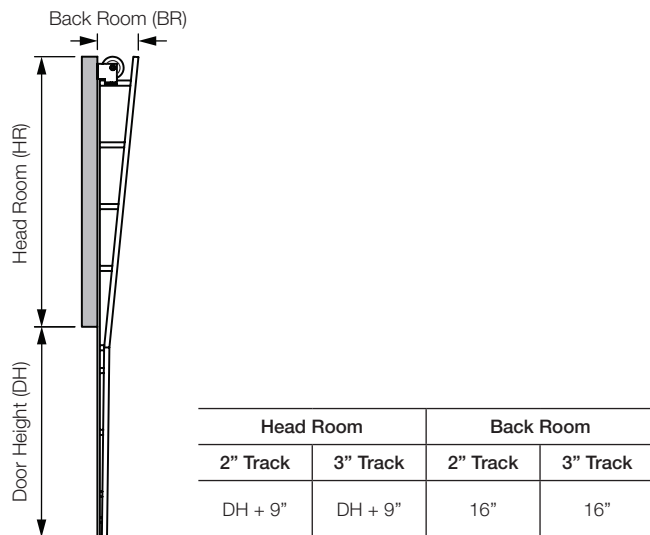
Standard Lift Doors



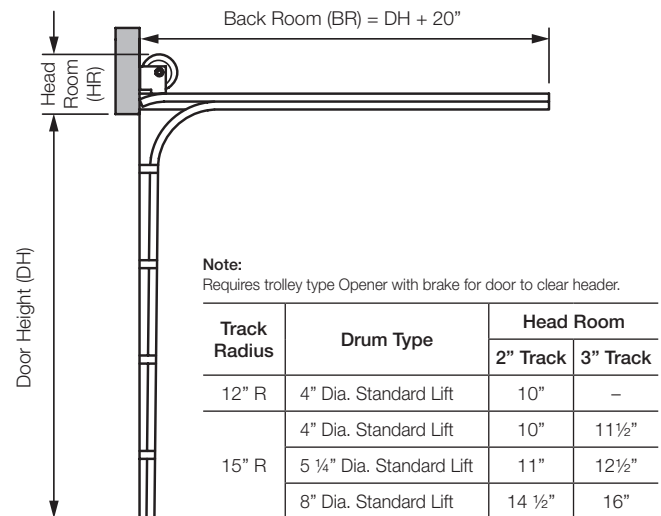
High Lift Doors



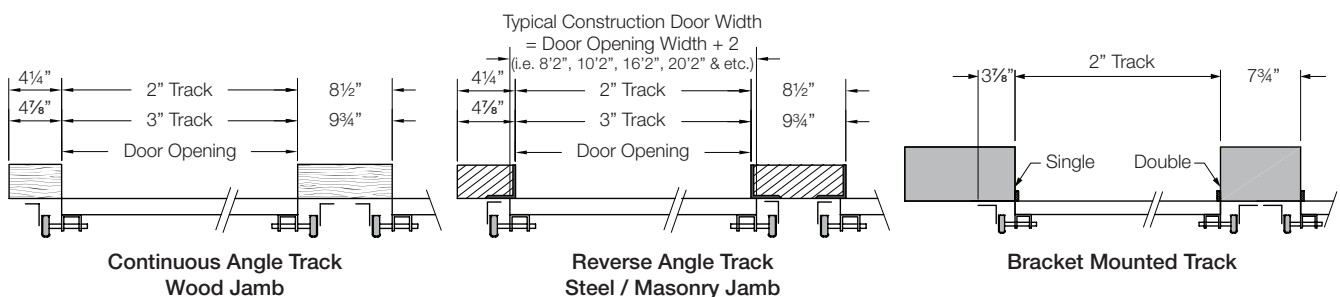
Vertical Lift Doors



Low Head Room Doors



Side Room Dimensions



SECTION 08360 - SECTIONAL DOORS**440U Series Insulated Steel Sectional Doors****PART 1 – GENERAL****1.01 RELATED DOCUMENTS**

A. All of the Contract Documents, including General and Supplementary Conditions, and Division 1 General Requirements, apply to the work of this Section.

1.02 SUMMARY

- A. The work of this Section includes upward-acting sectional doors.
- B. Related Sections: Other specification sections which directly relate to the work of this section include, but are not limited to, the following:
1. Section 05500 - Miscellaneous Metal; metal framing and supports.
 2. Section 08710 - Finish Hardware; key cylinders for locks.
 3. Section 09900 - Painting; field painting.
 4. Section 16100 - Electrical; wiring.

1.03 SUBMITTALS

- A. Product Data: Submit manufacturer's product data and installation instructions for each type of sectional door. Include both published data and any specific data prepared for this project.
- B. Shop Drawings: Submit shop drawings for approval prior to fabrication. Include detailed plans, elevations, details of framing members, required clearances, anchors, and accessories. Include relationship with adjacent materials.

1.04 QUALITY ASSURANCE

- A. Manufacturer: Sectional doors shall be manufactured by a firm with a minimum of five years experience in the fabrication and installation of sectional doors. Manufacturers proposed for use, which are not named in these specifications, shall submit evidence of ability to meet performance and fabrication requirements specified, and include a list of five projects of similar design and complexity completed within the past five years.
- B. Installer: Installation of sectional doors shall be performed by the authorized representative of the manufacturer.
- C. Single-Source Responsibility: Provide doors, tracks and accessories from one manufacturer for each type of door. Provide secondary components from source acceptable to manufacturer of primary components.
- D. Pre-Installation Conference: Schedule and convene a pre-installation conference just prior to commencement of field operations, to establish procedures to maintain optimum working conditions and to coordinate this work with related and adjacent work.

1.05 DELIVERY, STORAGE, AND HANDLING

- A. Deliver materials and products in labeled protective packages. Store and handle in strict compliance with manufacturer's instructions and recommendations. Protect from damage from weather, excessive temperatures and construction operations.

PART 2 – PRODUCTS**2.01 ACCEPTABLE MANUFACTURER**

A. Provide sectional doors by Hörmann LLC, Sparta, Tennessee; Telephone 877-654-6762 or 630-859-3000; Fax 630-859-8122.

2.02 INSULATED STEEL SECTIONAL DOORS

- A. Trade Reference: 440U Series Insulated Steel Doors by Hörmann LLC.
- B. Sectional Door Assembly: Insulated steel door assembly with tongue and groove meeting rails to form weather tight joints and provide full-width interlocking structural rigidity. Units shall have the following characteristics
1. Panel Thickness: 1½"
 2. Exterior Surface: Microgroove
 3. Section Joint: Sections to form a weather tight tongue and groove fit.
 4. Material: G-40 galvanized steel, complying with ASTM A-929, A-653, exterior and interior skins bonded with polyurethane foam.
 5. Exterior Skin: Minimum 25 gauge exterior steel face sheet.
 6. Interior Skin: 25 gauge interior steel face sheet with stucco texture. Color: White.
 7. End Caps: 20 gauge galvanized steel primed with white baked-on polyester top coat. (Thicker gauges available if needed.)
 8. Standard Springs: 10,000 cycles. (Higher cycles available)
 9. Insulation: Polyurethane, R-value 15.7
 10. Partial Glazing of Steel Panels: (Insulated or non-insulated double strength glass available.) (Not Required.)
- C. Finish and Color: Factory-applied baked-on White, Brown, Sandstone or Metallic Silver polyester.
- D. Wind load Design: ANSI/DASMA 108 and 115 standards and as required by code.
- Hardware: 13 Gauge or greater galvanized steel two pieced hinge assembly and fixtures. Ball bearing rollers with hardened steel races.
Lock: Interior mounted slide lock. (Keyed lock.)
Weatherstripping: Flexible PVC on bottom section. (Header seal and jamb weatherstripping.)
Track: Provide track as recommended by manufacturer to suit loading required and clearances available. Note: Select type of operation
- E. Manual Operation: Manual pull rope. (Chain hoist.)
- F. Electric Motor Operation: Provide UL listed electric operator, size and type as recommended by manufacturer to move door in either direction at not less than 2/3 foot nor more than 1 foot per second.
1. Entrapment Protection: (Pneumatic sensing edge up to 18' wide) (Electric sensing edge.) (Photoelectric sensors.)
 2. Operator Controls: (Push-button) (Key) (Push-button and key) operated control stations with open, close, and stop buttons for (flush) (surface) mounting, for (interior) (exterior) (both interior and exterior) location. Note: Select from below as applicable
 3. Special Operation: (Pull-rope release automatic opening device, vehicle detector operation, radio control operation, card reader control, photocell operation, door timer operation, commercial light package, explosion and dust ignition proof control wiring.)

PART 3 – EXECUTION**3.01 PREPARATION**

A. Take field dimensions and examine conditions of substrates, supports, and other conditions under which this work is to be performed. Do not proceed with work until unsatisfactory conditions are corrected.

3.02 INSTALLATION

- A. Strictly comply with manufacturer's installation instructions and recommendations. Coordinate installation with adjacent work to ensure proper clearances and allow for maintenance.
- B. Instruct Owner's personnel in proper operating procedures and maintenance schedule.

3.03 ADJUSTING AND CLEANING

- A. Test sectional doors for proper operation and adjust as necessary to provide proper operation without binding or distortion.
- B. Touch-up damaged coatings and finishes and repair minor damage. Clean exposed surfaces using non-abrasive materials and methods recommended by manufacturer of material or product being cleaned.

HÖRMANN NORTH AMERICA



Sparta, TN - North American Headquarters / Sectional Doors

FIVE PRODUCTION PLANTS, ONE FAMILY



Puyallup, WA - Sectional Doors



Montgomery, IL - Sectional Doors

As one of the world's leading manufacturers of doors we're committed to providing the best quality, value, and selection.

Whether residential, commercial or industrial, we have the door you're looking for. Each Hörmann product gives you the perfect array of benefits and options to satisfy your customers.



Barrie, ON (CAN) - High Performance Doors



Burgettstown, PA - High Performance Doors

Canada
Toll Free: +1 833 743 2443
Email: info@nwdca.ca
Website: nwdca.ca

Eastern and Central US
Toll Free: +1 877 654 6762
Email: info1@hormann.us
Website: hormann.us

Western US
Toll Free: +1 800 522 2264
Email: info@northwestdoor.com
Website: northwestdoor.com

AVAILABLE FROM:

